

VUS801, VUS1001

SV002-1



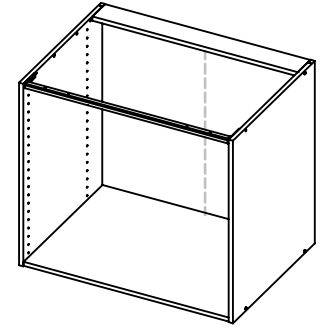
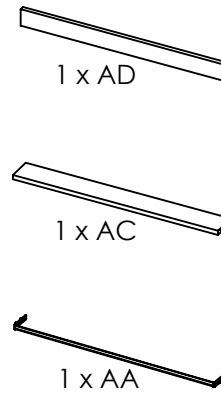
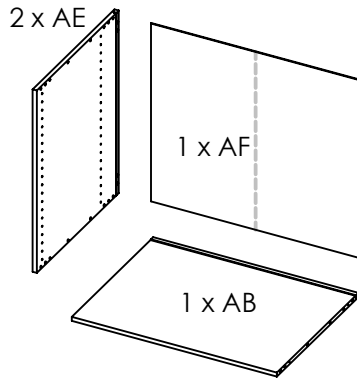
2 x ZC
3,5x15



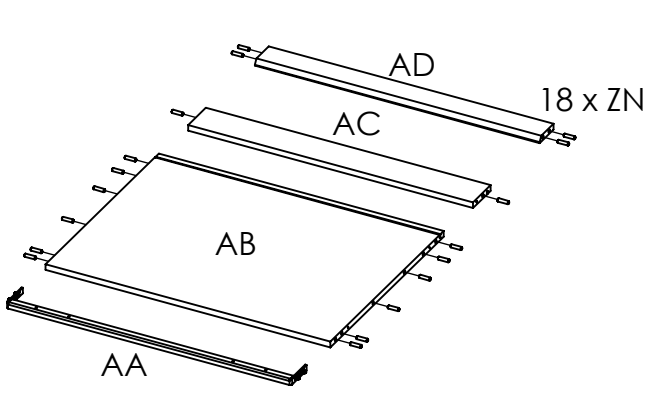
6 x ZF
4,5x45



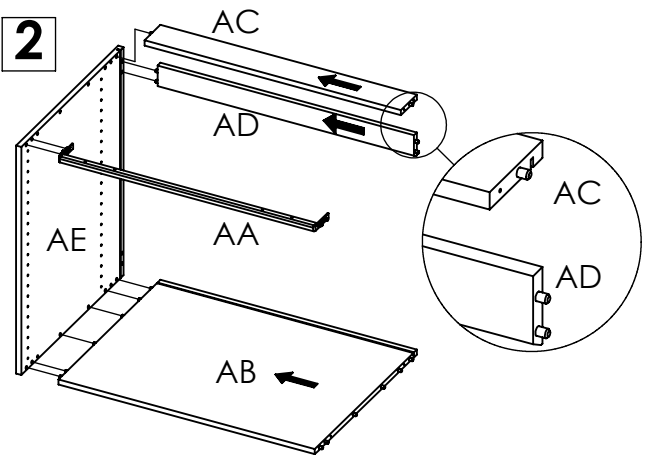
22 x ZN
8 x 30



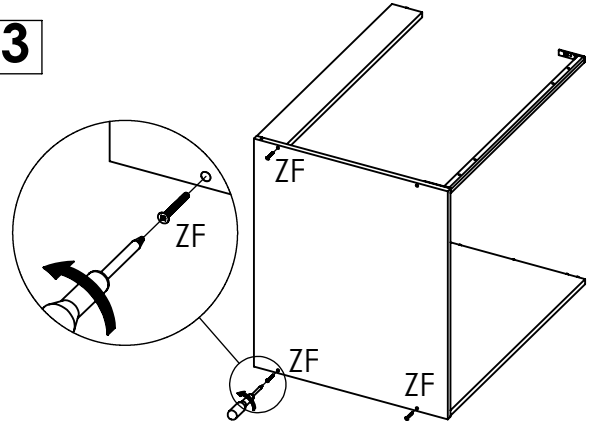
1



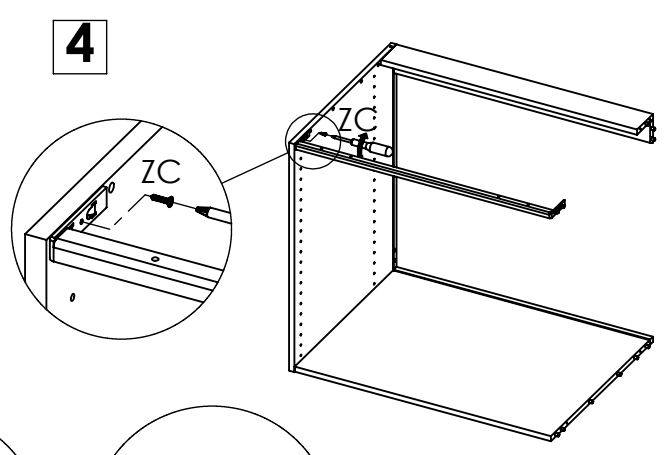
2



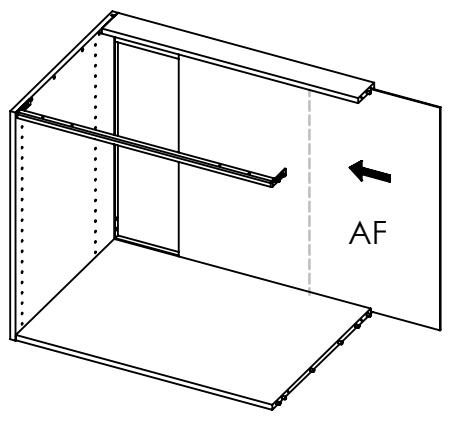
3



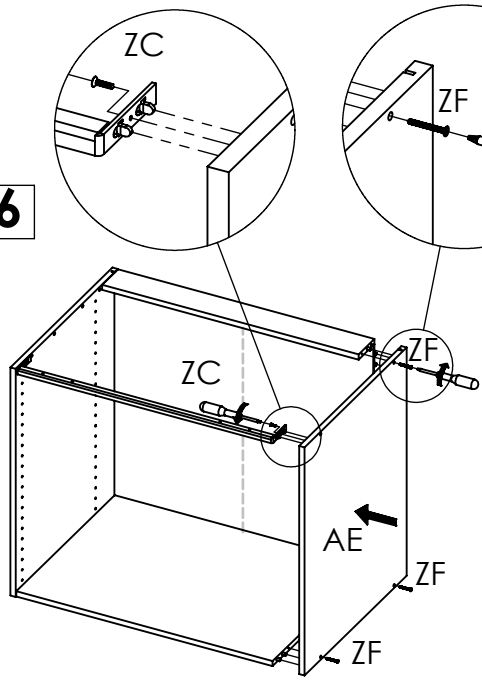
4



5



6



7

